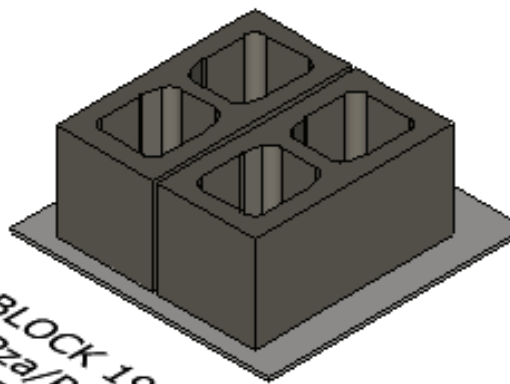




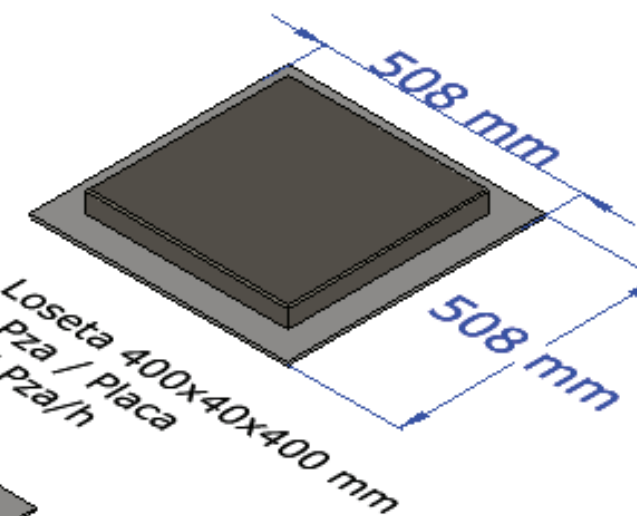
PRODUCTION CAPACITY SPM20



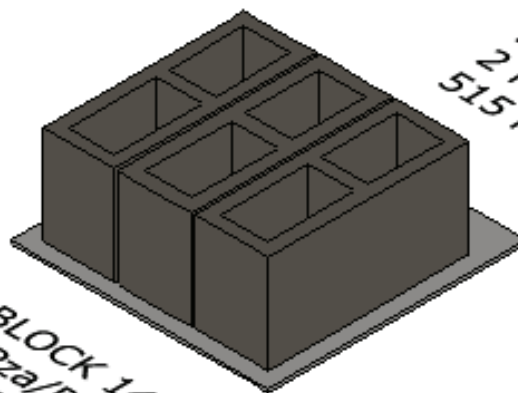
[SEE HOW IT WORKS](#)



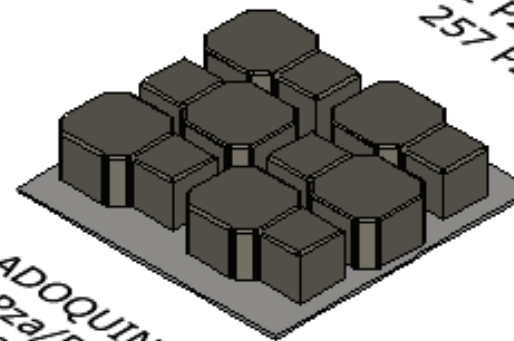
BLOCK 190x190x390mm
2 Pza/Placa
515 Pza/h



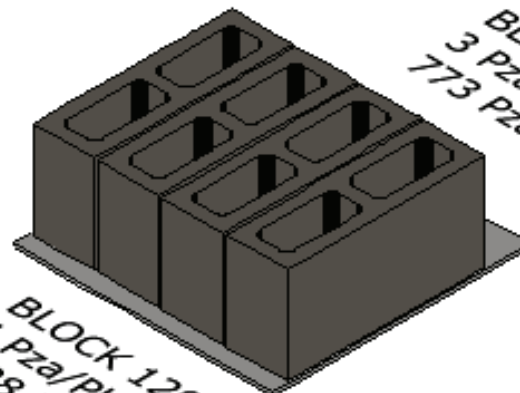
Loseta 400x40x400 mm
1 Pza / Placa
257 Pza/h



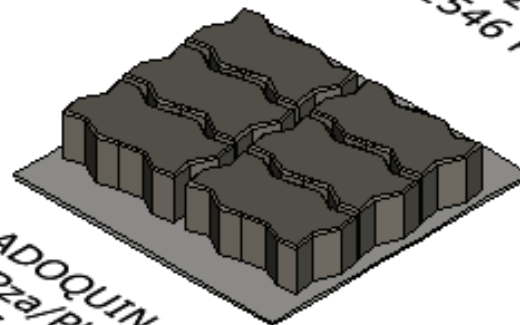
BLOCK 140x190x390mm
3 Pza/Placa
773 Pza/h



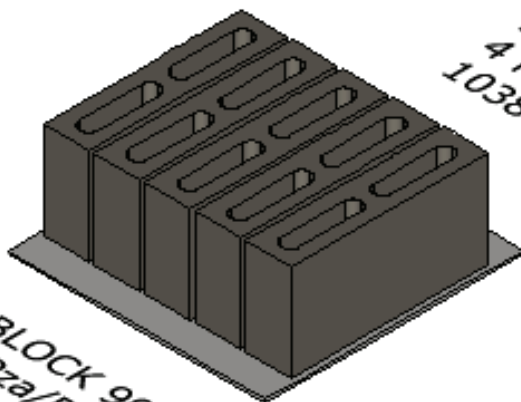
ADOQUIN Uni-Decor
6 Pza/Placa
1546 Pza/h



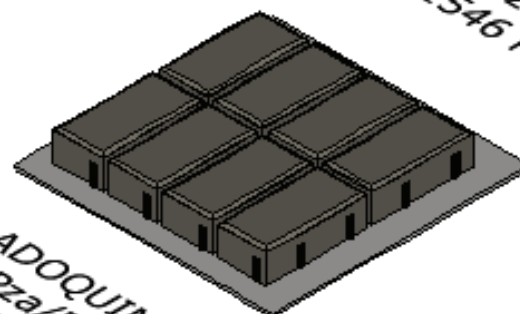
BLOCK 120x190x390mm
4 Pza/Placa
1038 Pza/h



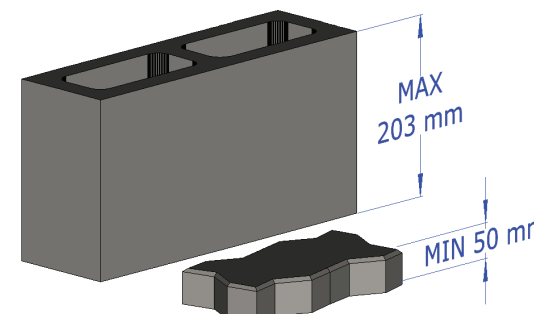
ADOQUIN Uni-Stone
6 Pza/Placa
1546 Pza/h



BLOCK 90x190x390mm
5 Pza/Placa
1292 Pza/h



ADOQUIN Holandés
8 Pza/Placa
2061 Pza/h



PRODUCTION CAPACITY SPM20

Phone

+1 360 694 1501

HEADQUARTERS

107 Grand Blvd.

Vancouver, WA 98661 USA

www.columbiamachine.com