

PLANETARY CONCRETE MIXERS



MIXERS



JETS

STANDARD VERSION

- 12-month warranty with no limit in the operating hours
- Special lining with hardness of Hardox 500, 600, 700
- One hydraulically driven vertical discharge flap
- Emergency opening by using a manual valve in case of power failure
- Safety system for cleaning the mixer - door can't be opening during operation
- AIR BAG venting system
- Mixing unit with polyurethane blades and scrapers

ADDITIONAL OPTIONS

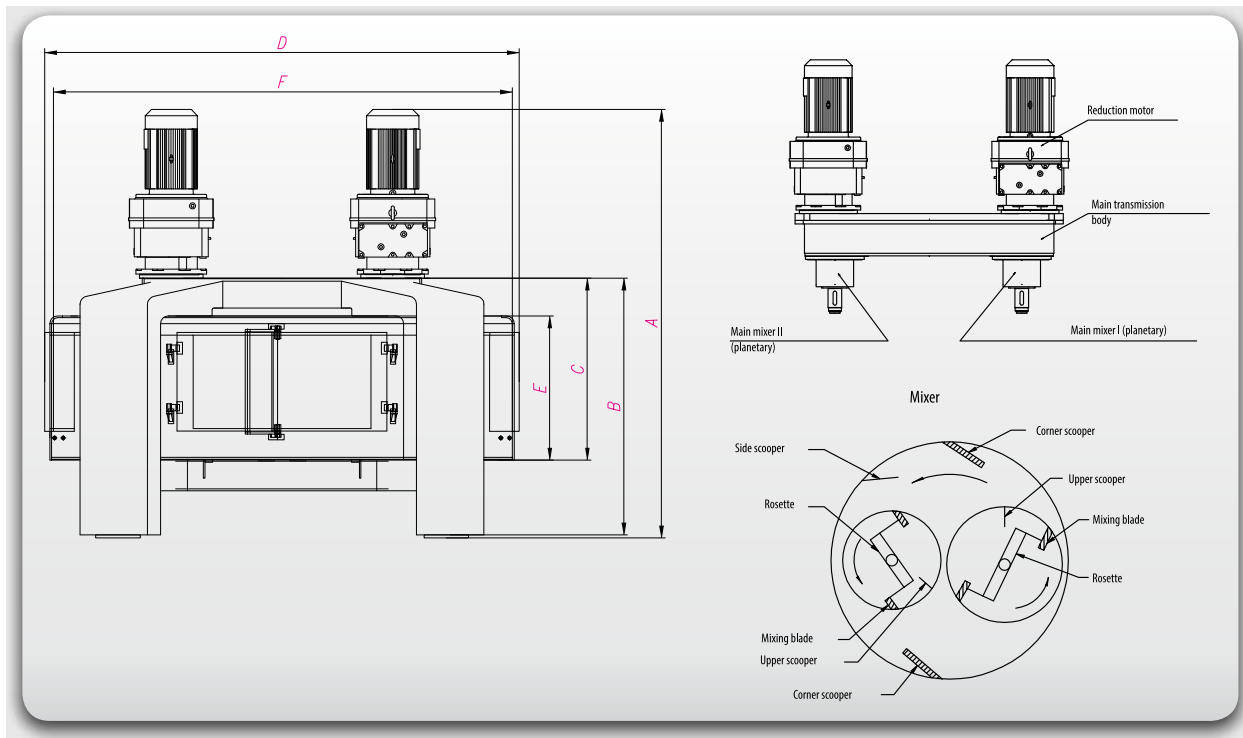
- The system of washing nozzles and water dosing
- HYDRO-MIX moisture content measuring probe
- Additional hydraulically driven discharge flap
- Sight glass

ADVANTAGES

- Short mixing cycle due to the washing system with water dosing
- Accurate mixing of concrete due to optimum number of mixing blades
- Compact design, reliable drives manufactured by the SEW Company
- Simple operation and easy maintenance
- Low noise level
- Integrated hydraulic system

PLANETARY MIXERS - SPECIFICATIONS

MIXER TYPE	JEDN.	SPM-375	SPM-500	SPM-750	SPM-1125	SPM-1750	SPM-2250	SPM-3000	SPM-3750
Charging capacity	l/kg	375/600	500/820	750/1200	1125/1800	1750/2800	2250/3600	3000/4800	3750/6000
Output per cycle	m ³	0,25	0,33	0,5	0,75	1,15	1,5	2	2,5
Minimum charge	kg	150	200	300	450	700	900	1200	1500
Weight of the mixer	kg	3100	3200	4100	4230	7350	7370	8900	13600
Driving power	kW	9,2	11	2x9,2	2x15	2x22	2x30	2x37	2x55
Number of discharge openings	pc.	1	1	1	1	1	1	1	1
Total height, including motor (A)	mm	2220	2220	2420	2420	2740	2740	2920	3275
Mixer height, including supports (B)	mm	1325	1325	1520	1520	1690	1690	1720	1865
Mixer height with no supports, with flange (C)	mm	920	920	1020	1020	1150	1150	1160	1335
Maximum total diameter (D)	mm	1940	1940	2200	2200	3000	3000	3220	3785
Mixer height (E)	mm	690	690	735	735	900	900	900	1030
Mixer inside diameter (F)	mm	1560	1560	1986	1986	2680	2680	2900	3455



Shown drawings refer to the mixers SPM 1750, SPM 2250 and SPM 3000. Description of features for all models is specified in the chart below.

NUMBER OF PARTS

MIXER	SPM-375	SPM-500	SPM-750	SPM-1125	SPM-1750	SPM-2250	SPM-3000	SPM-3750
Number of rosettes	1	1	1	1	2	2	2	2
Number of mixer blades	2	2	2	2	4	4	4	6
Number of upper scoopers	-	-	1	1	2	2	2	2
Number of side scoopers	1	1	1	1	1	1	1	2
Number of corner scoopers	1	1	1	1	2	2	2	2