

MATERIAL TYPES



SAND BEACH, RIVER, CRUSHING



GRAVEL



CRUSHED MATERIAL



HEAT SEALED BAGS

COLUMBIA QUALITY
WITHIN YOUR REACH



WWW.COLUMBIAMACHINE.COM

Columbia

COLUMBIA MACHINE, INC.

107 GRAND BLVD. VANCOUVER, WA 98661

+1 360 694 1501 | WWW.COLUMBIAMACHINE.COM

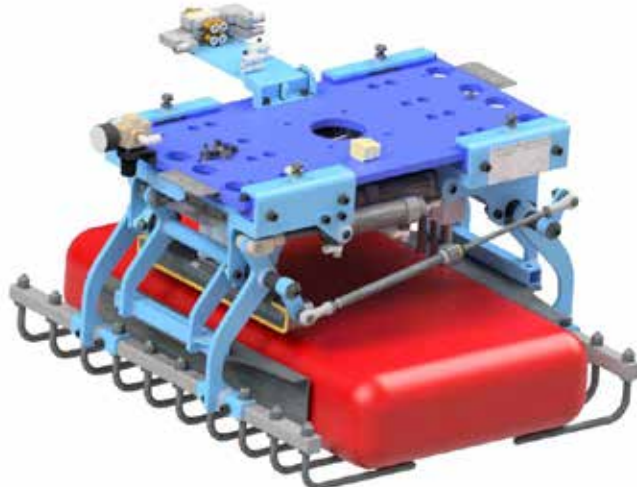
WWW.COLMAC.COM

Columbia

OPEN MOUTH BAG FILLING SOLUTIONS

BAGGING PLANT FOR AGGREGATES WITH MOISTURE CONTENT

COLUMBA PROVIDES THE MOST RUGGED AND DURABLE EQUIPMENT IN THE INDUSTRY. OPERATE IN HARSH ENVIRONMENTS AND MAXIMIZE YOUR PRODUCTION UPTIME.



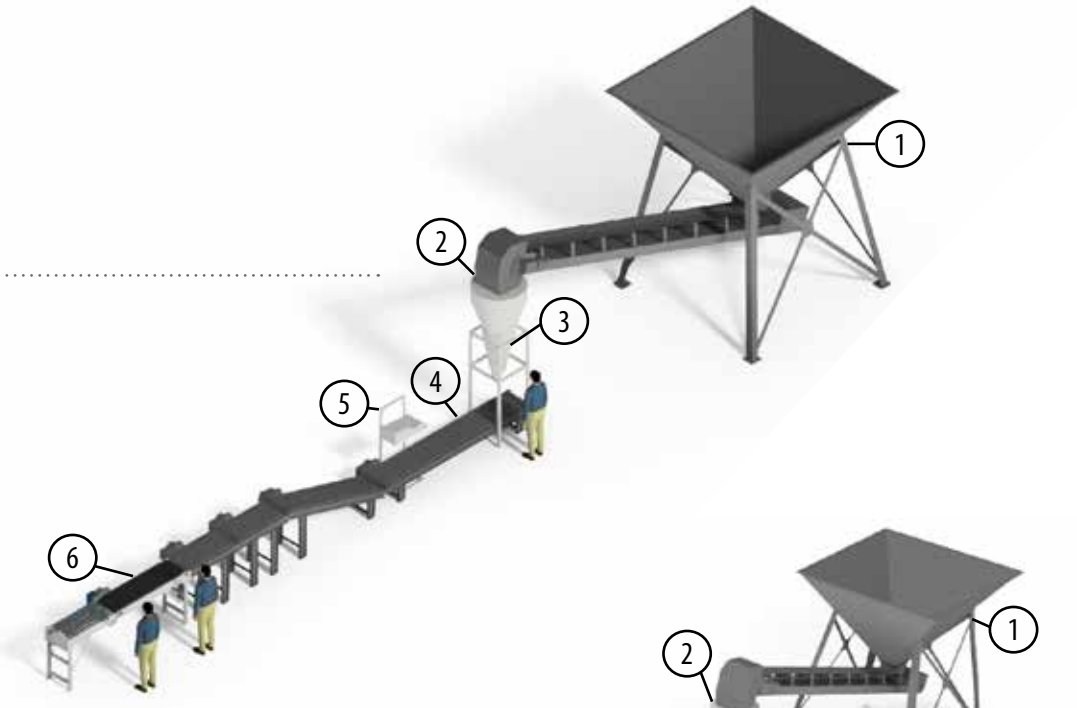
ROBOTIC PALLETIZER PROVIDES FULLY AUTOMATIC STACKING SOLUTION CAPABLE OF HANDLING 60 LB BAGS AT RATES UP TO 24 PER MINUTE.



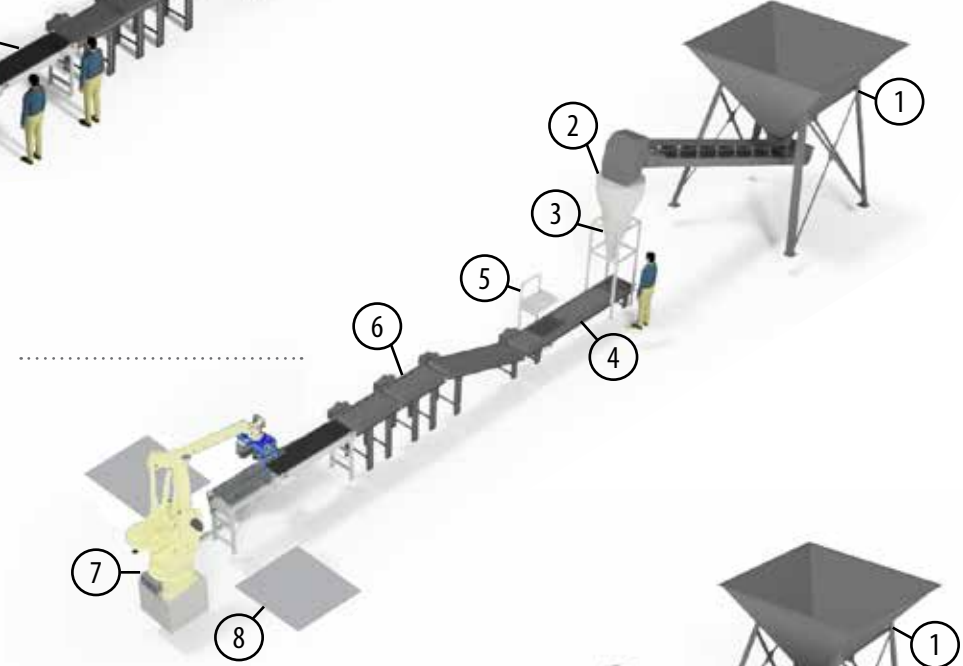
EQUIPMENT SPECIFICATIONS

ITEM	DESCRIPTION
1	AGGREGATE HOPPER
2	BAGGING HOPPER
3	OPEN MOUTH BAGGING EQUIPMENT
4	BAG TRANSFER
5	BAG SEALER
6	BAG TRANSFER TO PALLETIZING AREA
7	ROBOTIC PALLETIZER
8	STACKING AREA (ON FLOOR)
9	AUTOMATIC PALLET DISPENSER & DISCHARGE CONVEYOR

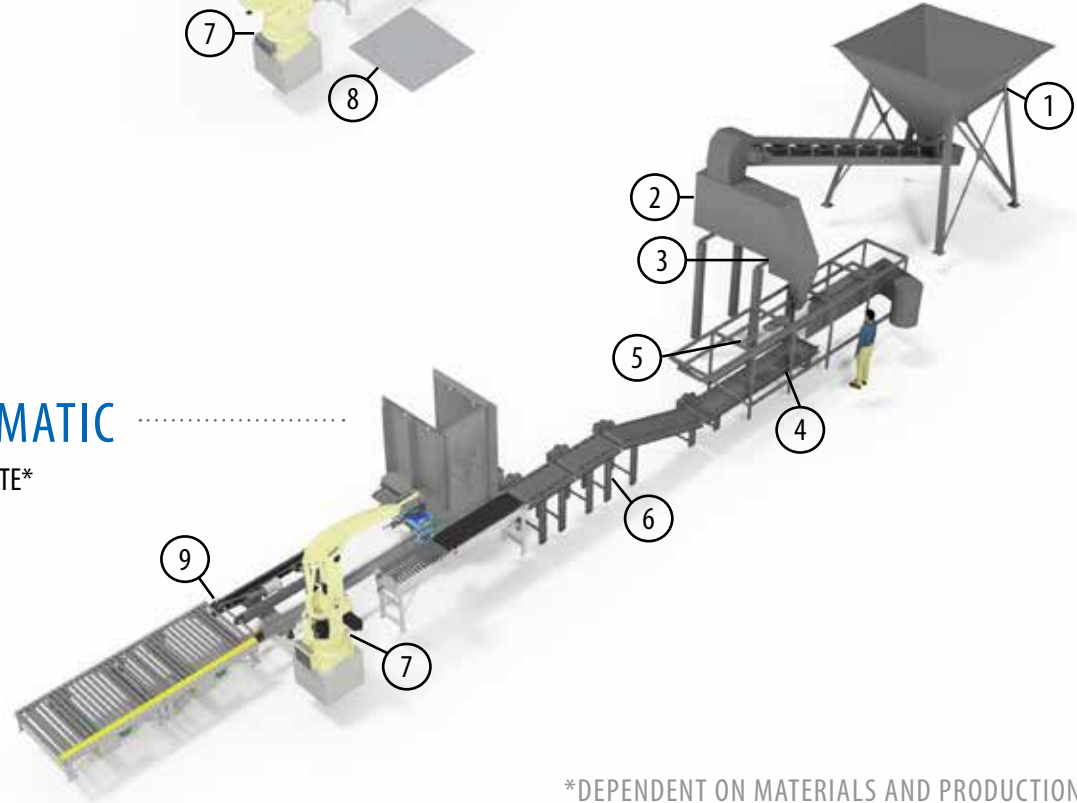
BASIC
4-12 BAGS PER MINUTE*



SEMI-AUTOMATIC
4-12 BAGS PER MINUTE*



FULLY-AUTOMATIC
UP TO 24 BAGS PER MINUTE*



*DEPENDENT ON MATERIALS AND PRODUCTION CAPACITY