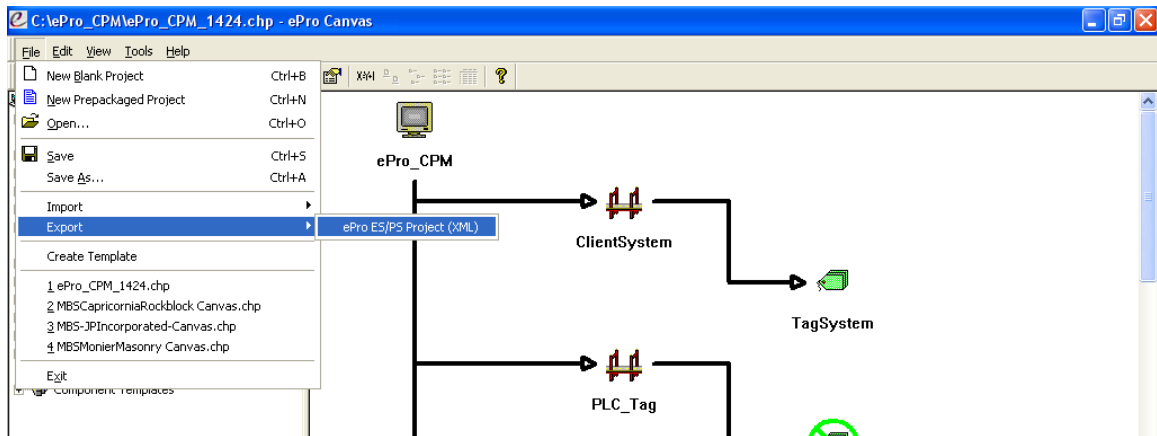
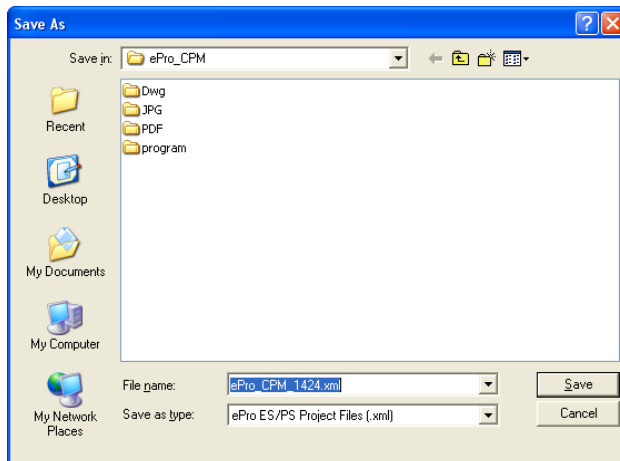


ePro Procedure to change Numeric Entry keypad size

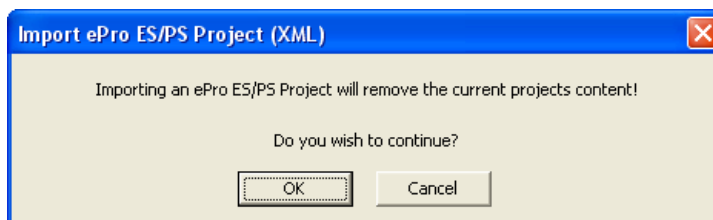
1. Open Canvas ePro project
2. Select File → Export → ePro ES/PS project (XML)



3. Enter XML file name then press Save button (typically using default file name)



4. Open the XML file using Notepad (Using Win Explore – right click on the XML file → select Open with – Notepad)
5. Replace ALL “.OINumericEntry” with “.OINumericEntryXL”
6. Confirm that there is no OINumericEntryXLXL
7. Save & Close the XML file using Notepad
8. Back to ePro Canvas software, Select File → Import → ePro ES/PS project (XML)



9. Select the XML to import into Canvas then press “Open” button

10. Create a new UCF project file by "Send to File"
11. Save & Close Canvas.
12. Copy files to the ePro HMI ----- Check numeric Entry ----- **DONE**