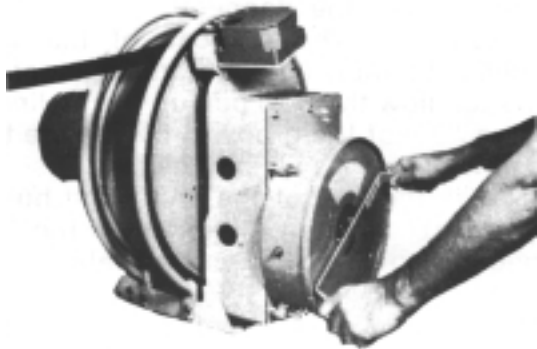




## INSTALLATION and MAINTENANCE INSTRUCTIONS for GLEASON SPRING-OPERATED ELECTRIC CABLE and HOSE REELS

Cable take-up is automatic by means of clock-type power springs. All units are provided with right-hand rotation as standard unless otherwise specified. Standard rotation means that cable or hose is pulled off spool top left or bottom right, **when viewing spring end of reel**. Spool rotates clockwise to wind cable or hose.

A tension adjustment spanner wrench is provided with each reel. It affords a means of pre-tensioning the spring at time of installation. This is important to insure that tension is applied to cable or hose at all times.



**Spring Tension Adjustment** — Spring tension can be increased from the outside by merely removing three screws and adjusting spring to tension as shown on nameplate. No need to disconnect cable or disassemble reel.

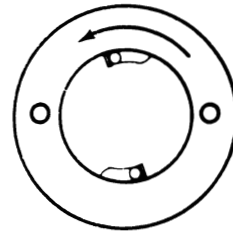
### WARNING

Do not attempt to adjust spring tension unless cable/hose is fully wound on reel. At this point the spring tension is at a minimum. Adjusting tension with cable/hose extended from reel may result in injury. Do not attempt to relieve tension using spanner wrench.

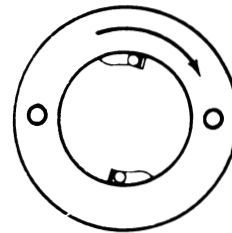
### INSTALLATION

1. Insure that machinery to be serviced by reel is at minimum travel or position closest to reel.
2. Connect free end of cable or hose.
3. Remove 5½" diameter cover plate on face of spring housing to expose shaft and spring hub.
4. Insert spanner wrench into holes incorporated in spring hub. Number of 360° turns should match last number in model number of reel. Example: S16601-83-8-3. In this case, take 3 full turns of wrench.

5. On all standard electric cable reels with Direct Drive (all "J" Series and "K" Series hose reels), turn spanner wrench counter-clockwise to apply tension.



6. On all other models, turn spanner wrench clockwise to apply tension.



7. Instructions pertaining to direction under items 5 and 6 are reversed if reel was furnished with left-hand or reverse rotation.

On reels containing more than one spring, the hubs are connected at the factory. Therefore, by tightening the outer spring, the inside spring or springs will tighten correspondingly.

### CAUTION

Do not exceed the number of turns contained in these instructions. Over-tensioning can cause spring to wind tight before end of travel is reached. As a result, you may experience a broken spring, a sheared shaft or other damage.

## MAINTENANCE

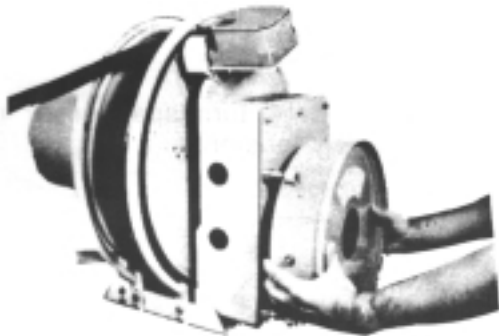
Bearings, springs and gears, if any, are pre-lubricated and require no periodic maintenance.

### SAFETYCHANGE® SPRING MOTORS

Gleason's SAFETYCHANGE® spring motor consists of a housing, spring and hub.

## WARNING

**Removal of spring from housing may result in injury.** The main housing cover is sealed to the housing to discourage any attempt to remove the spring from its housing in case of failure. Clock-type power springs can be dangerous to handle, even if broken, which is the reason the housing is sealed. A replacement spring motor is furnished sealed in its housing and the old unit is designed to be discarded completely.



**Safetychange® Replaceable Spring Motor** — Complete motor cartridge can be replaced as a unit. No need to handle loose springs or remove reel from machine to change spring.

### INSTRUCTIONS FOR REPLACING SPRINGS

1. Relieve all spring tension using the following procedure:
  - a. Disconnect cable/hose.
  - b. Wind all cable/hose onto reel.
2. Remove small 5½" diameter cover from face of spring housing.
3. Rotate spool in wind up direction (clockwise on standard rotation reels) and observe shaft end. Inner shaft should rotate clockwise and hub (with spring attached) should remain stationary. If resistance is met or hub tends to rotate clockwise with shaft, do not attempt to remove spring.

Continue to rotate spool clockwise and strike shaft end with several sharp blows of a hammer until shaft rotates freely and hub remains stationary.

4. With a pointed or needle nose pliers, remove the pawls from each groove in the shaft. Remove also the pawl springs—there are two in each set.



5. Remove (4) bolts or nuts which secure the spring motor to the frame (if applicable).
6. At this point, the spring motor may be slid off of the shaft and discarded.
7. Install the replacement spring motor, using the reverse procedure, carefully noting that the pawl springs must be located between the pawls and the deepest section of the shaft grooves. The purpose of the pawl springs is to apply a slight force against the pawls to allow them to pull up the incline of the shoulder of the grooves. Make sure that the pawls and pawl springs are inserted flush with the end of the shaft and hub or they may rub against the inside of the 5½" inspection cover as the shaft rotates.
8. Tension the spring with spanner wrench as outlined in the installation instructions.
9. Replace 5½" diameter inspection cover.

The same procedure is followed for replacing spring motors on multi-spring reels as on single spring units except for the following:

1. All tension must be removed by disconnecting the cable.
2. A set of dowel pins is used to connect one spring hub to another.

Be sure that the dowel pins are reinstalled; otherwise the inner spring or springs will not engage for the tension adjustment.



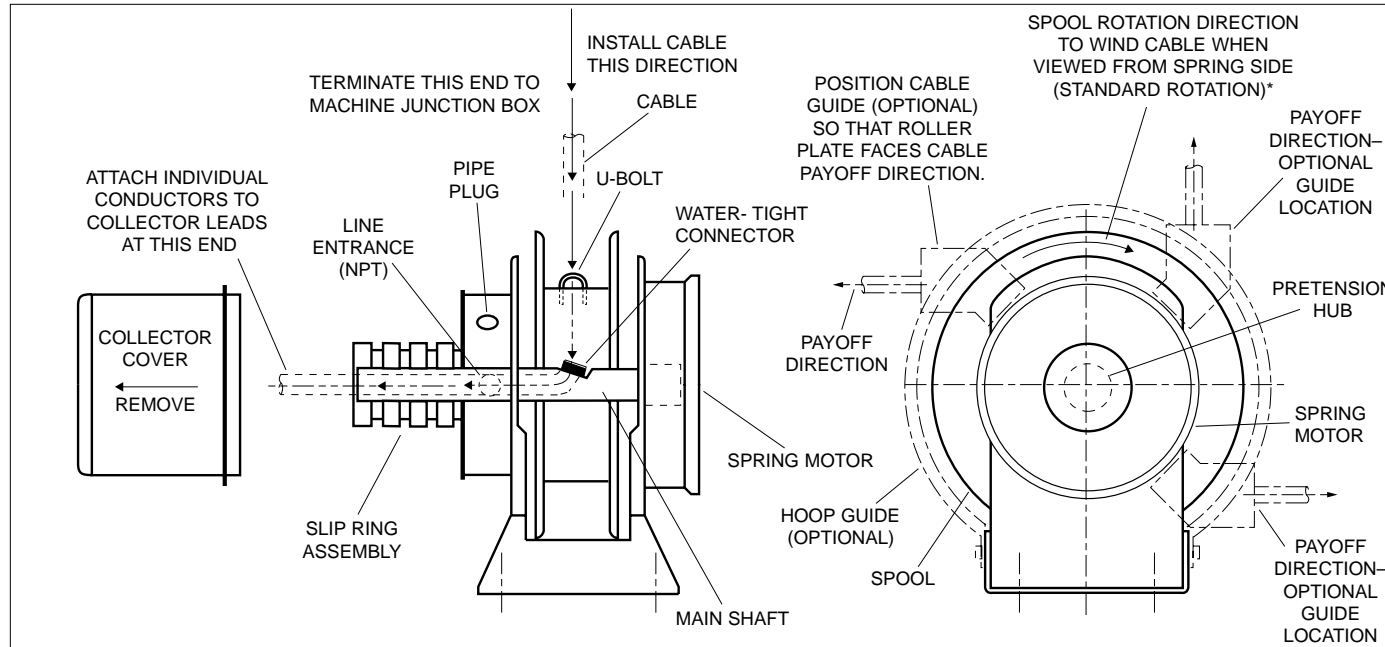
### GLEASON REEL CORP.

P.O. Box 12 • 600 S. Clark St.

Mayville, WI 53050

Phone: 920-387-4120 • FAX: 920-387-4189

# CABLE INSTALLATION REFERENCE DRAWING



\* STANDARD ROTATION (CLOCKWISE WHEN VIEWED FROM SPRING SIDE) SHOWN. ALSO AVAILABLE WITH COUNTER-CLOCKWISE ROTATION



**GLEASON REEL CORP.**  
P.O. Box 16 • 600 South Clark St.  
Mayville, WI 53050-0026  
Phone 920-387-4120  
Fax 920-387-4189